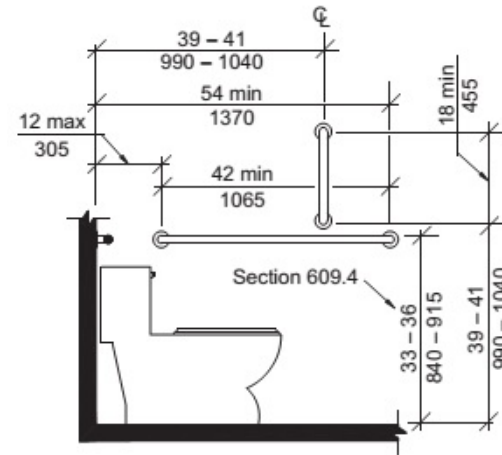
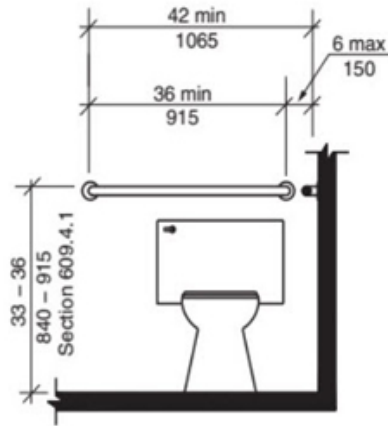


Knox County Code Administration & Inspection

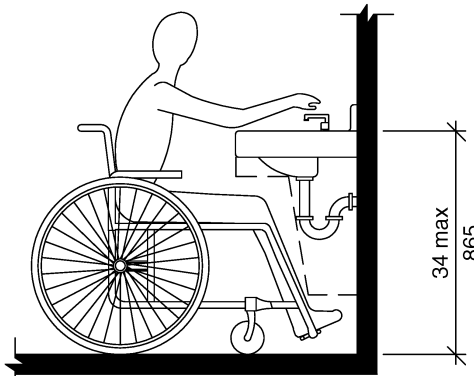
Accessibility Information



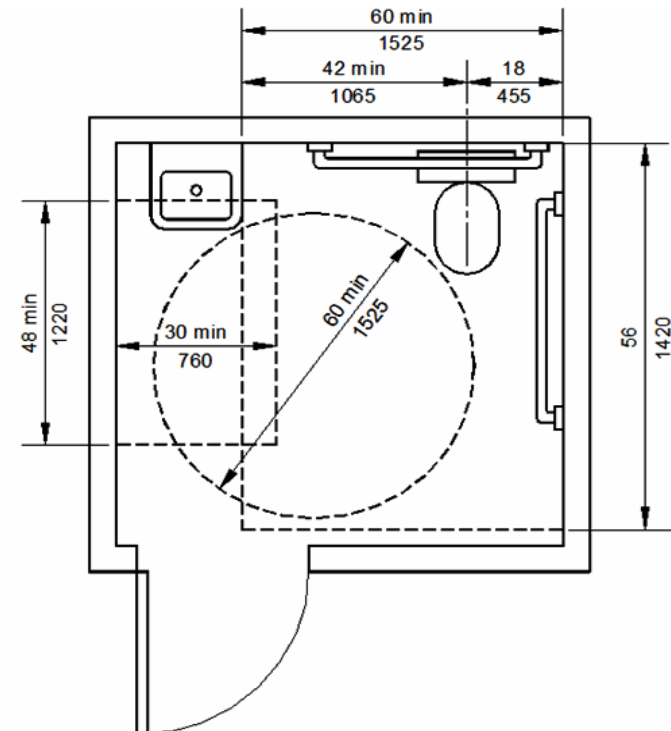
Rev. 090321



Three grab bars are required – 2 at the side wall and 1 at the back wall above the toilet.



606.6 Exposed Pipes and Surfaces. Water supply and drainpipes under lavatories and sinks shall be insulated or otherwise configured to protect against contact. There shall be no sharp or abrasive surfaces under lavatories and sinks.



ADA Parking Information

Total Number of Parking Spaces Provided in Parking Facility (per facility)	(Column A) Minimum Number of Accessible Parking Spaces (car and van)	Minimum Number of Van-Accessible Parking Spaces (1 of six accessible spaces)
1 to 25	1	1
26 to 50	2	1
51 to 75	3	1
76 to 100	4	1
101 to 150	5	1
151 to 200	6	1
201 to 300	7	2
301 to 400	8	2
401 to 500	9	2
500 to 1000	2% of total parking provided in each lot or structure	1/6 of Column A*
1001 and over	20 plus 1 for each 100 over 1000	1/6 of Column A*

*one out of every 6 accessible spaces

Accessible parking spaces shall be located on the shortest accessible route of travel from adjacent parking to an accessible building entrance. Where buildings have multiple accessible entrances with adjacent parking, accessible parking spaces shall be dispersed and located near the accessible entrances.

