

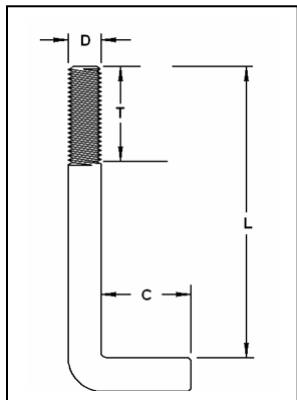
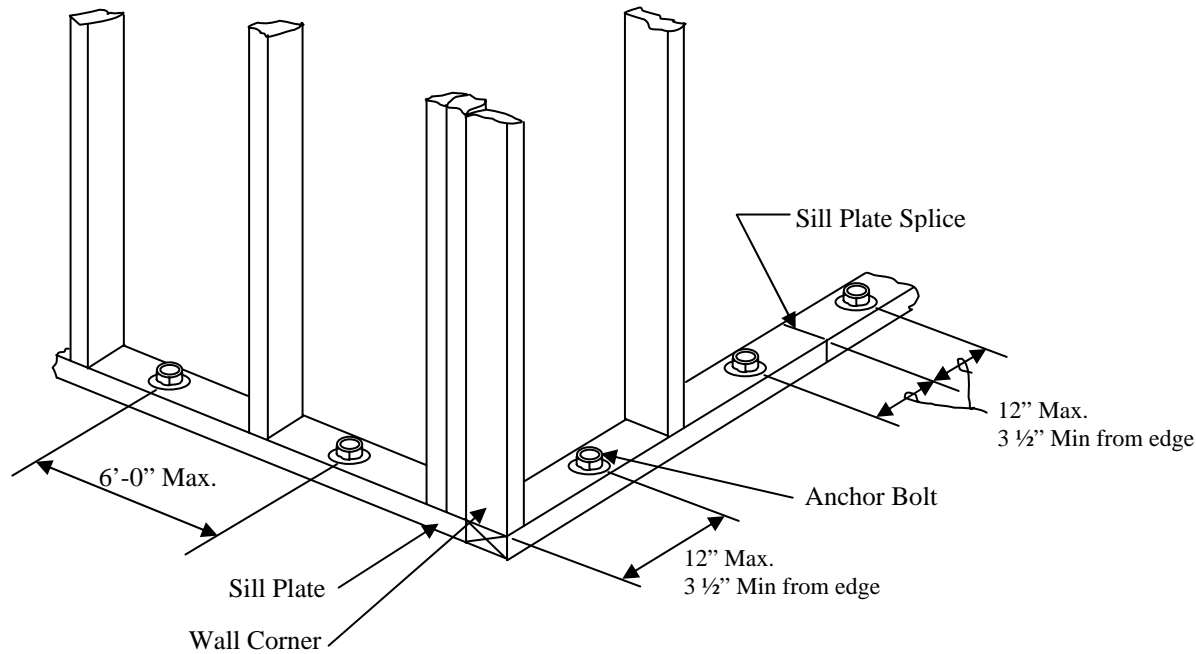


REV. 3-1-2007

Section R403.1.6, 2006 IRC
 1/2" (or larger) diameter anchor bolts
 embedded 7" minimum spaced 6 feet
 on center maximum or approved
 anchorage devices are required.

NOTES:

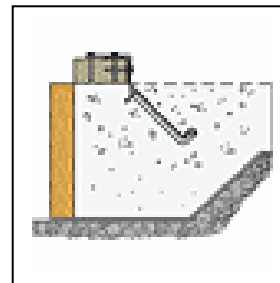
1. Anchor bolts must be placed within 12" of each wall corner and all sill plate splices at a minimum 3 1/2" from the edge.
2. Maximum spacing of bolts is 6'-0".
3. Bolts must be 1/2" diameter minimum size with washers.
4. Right angle bend anchor bolts must have 7" embedment.
5. Alternate anchor bolts and anchor straps may be used and must be installed per manufacturer's instructions and may require engineer's approval.



Right Angle Bend Anchor Bolt



Alternate Engineered Anchor Bolts



Alternate engineered anchor strap